

---

---

---

## Multipurpose Turbine for Blower and Generator

Katsunori Yoshida, Hideki Takano, Kenzo Yamaguchi

### 要旨

多目的送風発電設備は CDQ (Coke dry quenching) 廃熱

### Synopsis:

This plant has realized stable blast blowing through CDQ (Coke Dry Quenching) waste heat recovery boiler. Since the CDQ steam, owing to varia-

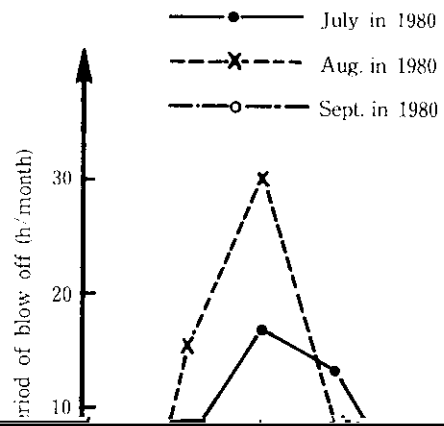
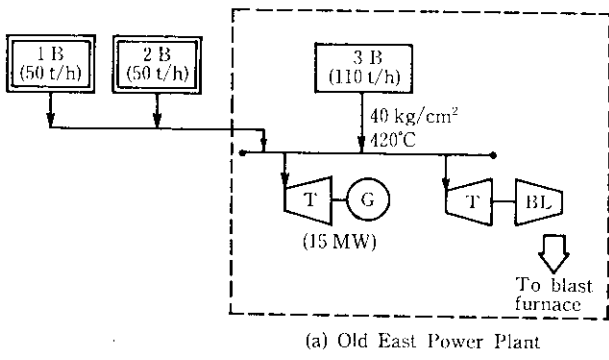
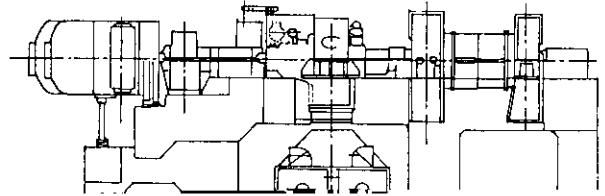
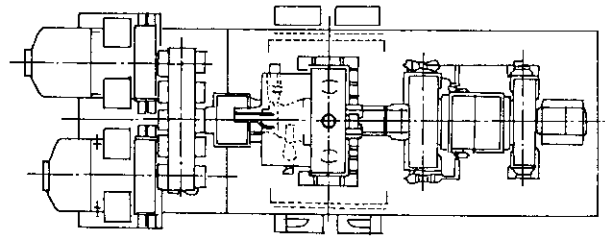


Table 1 Main features

Item		Specification		
Turbine	Type	Single casing, mixing pressure, condensing turbine with extraction port		
	Output	28 500 kW		
	Revolution	3 610 rpm		
	Steam	CDQ	Process	Extract.
	Pressure	40 kg/cm <sup>2</sup>	15~18 kg/cm <sup>2</sup>	7~10 kg/cm <sup>2</sup>
	Temperature	420°C	220°C	200°C
	Vacuum	722 mmHg		
Mixing port	One			
Extract. port	Two			
Manufacturer	Kawasaki Heavy Industries Ltd.			



- (1) 混気時の温度変化に耐えられること
- (2) 混気点での蒸気の流れを乱さないこと

—— First extract part

① In normal operation

② When CDQ steam reduced to half

Energy flow

Effect